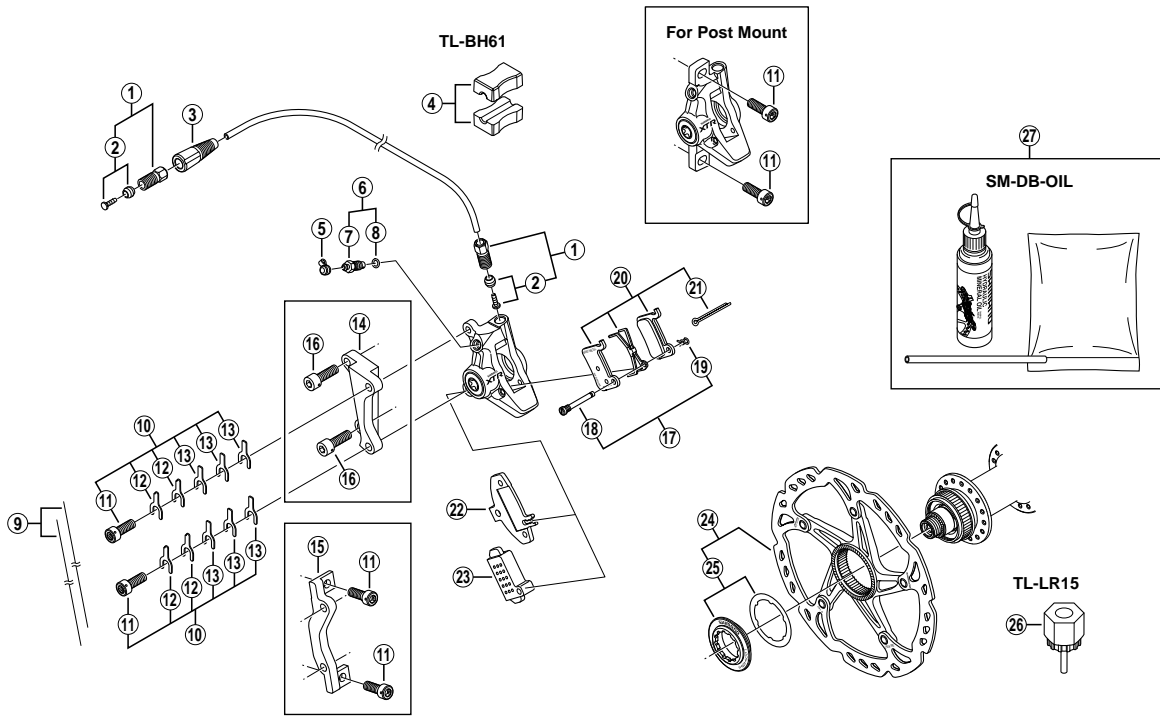


XTR Front Disc Brake

BR-M975 Brake Caliper
SM-RT97 Disc Rotor

SM-BH59 Brake Hose



BR-M965

ITEM NO.	SHIMANO CODE NO.	DESCRIPTION	INTERCHANGEABILITY
1	Y-8H2 98010	Connecting Bolt Unit	
2	Y-8H2 98020	Olive & Connecting Insert	
3	Y-8H2 03010	Cover	
4	Y-8H1 98030	TL-BH61 Special Tool (2 pcs.)	
5	Y-8B2 14000	Bleed Nipple Cap	A
6	Y-8CL 98050	Bleed Nipple & Seal Ring	A
7	Y-8CL 24000	Bleed Nipple	A
8	Y-8B5 11001	O-Ring for Bleed Nipple	A
9	Y-8B2 98010	Wire (2 pcs.)	A
10	Y-8CL 98060	Caliper Fixing Bolt Unit	A
11	Y-8B2 32200	Caliper Fixing Bolt (M6 x 15)	A
12	Y-8CL 13000	Spacer (0.5 mm)	A
13	Y-8CL 14000	Adjusting Washer (0.2 mm)	A
14	Y-817 35000	A-Standard Mount Adapter (SM-MA-F180S/S) for Disc Rotor ϕ 180 mm	
	Y-8B2 31300	A-Standard Mount Adapter (SM-MA-F203S/S) for Disc Rotor ϕ 203 mm	
15	Y-817 37000	Post Mount Adapter (SM-MA-F180S/P) for Disc Rotor ϕ 180 mm	
	Y-8B2 31100	Post Mount Adapter (SM-MA-F203S/P) for Disc Rotor ϕ 203 mm	
16	Y-8B5 12000	Adapter Fixing Bolt (M6 x 19)	
17	Y-8CL 98070	Pad Axle & Snap Ring	A
18	Y-8CL 11000	Pad Axle	A
19	Y-8B2 12000	Snap Ring	A
20	Y-8E5 98010	Metal Pad (M06Ti) & Spring w/Split Pin	B
	Y-8E5 98020	Resin Pad (M07Ti) & Spring w/Split Pin	B
21	Y-8DB06000	Split Pin	A
22	Y-8CL 12000	Pad Spacer	A
23	Y-8CL 18000	Spacer for Bleeding	A
24	Y-8HN98010	SM-RT97 Disc Rotor Unit (ϕ 160 mm)	
	Y-8HN98020	SM-RT97M Disc Rotor Unit (ϕ 180 mm)	
	Y-8HN98030	SM-RT97L Disc Rotor Unit (ϕ 203 mm)	
25	Y-8HN98050	Lock Ring & Washer	B
26	Y-120 09230	TL-LR15 Lock Ring Removal Tool	
27	Y-839 98010	Mineral Oil Bleed Kit (50 ml)	

A: Same parts.

B: Parts are usable, but differ in materials, appearance, finish, size, etc.

Absence of mark indicates non-interchangeability.

0607-2613

Specifications are subject to change without notice.

SHIMANO