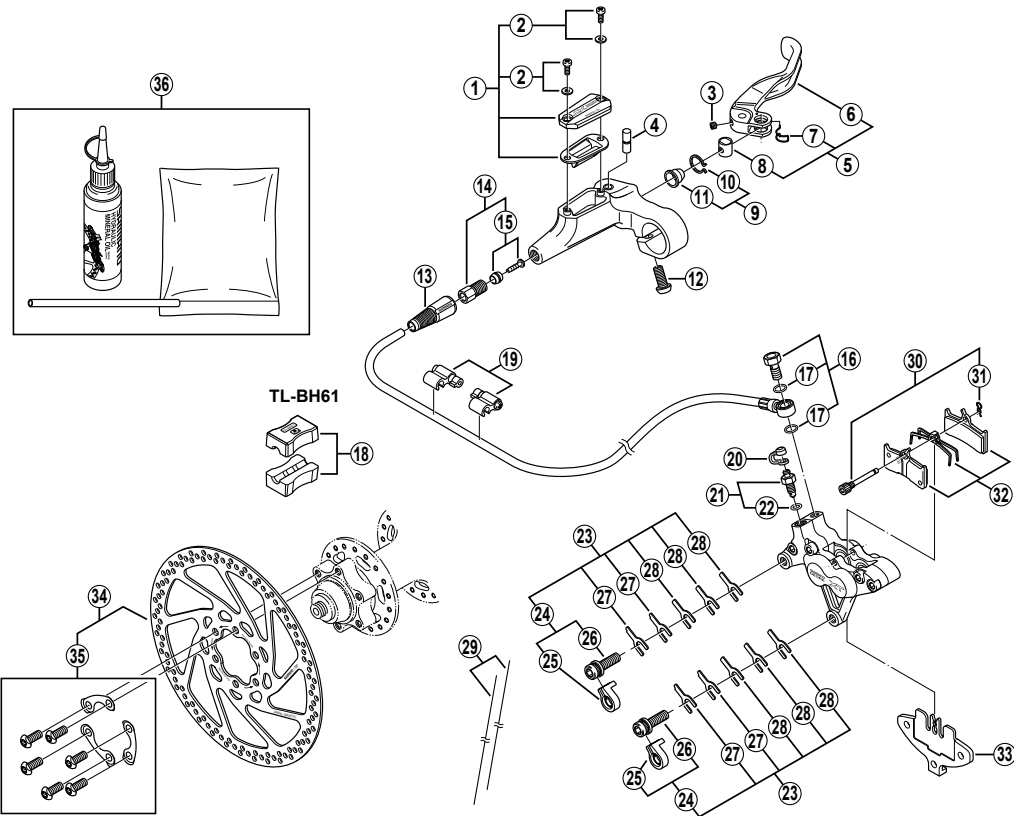


DEORE XT Rear Disc Brake

BR-M755 Brake Caliper
BL-M756 Brake Lever

SM-RT75 Disc Rotor
SM-BH62 Brake Hose

SM-DB-OIL Mineral Oil
SM-HANG Hose Supporter




ITEM NO.	SHIMANO CODE NO.	DESCRIPTION	INTERCHANGEABILITY
1	Y-8S5 98020	R.H. Lid Unit	B
2	Y-8SZ 98020	Lid Fixing Screw (M3 x 8) & Washer	A
3	Y-8SZ 07000	Lever Axle Fixing Bolt	
4	Y-8SZ 06000	Lever Axle	
5	Y-8S5 98030	Lever Unit	
6	Y-8SZ 05300	Lever Member	
7	Y-8SY 13000	Boss Spring	
8	Y-8S5 98040	Reach Adjusting Boss	A
9	Y-8SY 98070	Boot & Stopper	A
10	Y-8SY 30000	Boot Stopper	A
11	Y-8SY 17000	Boot	A
12	Y-8SB 10000	Clamp Bolt (M6 x 14.8)	A A
13	Y-8H2 03000	Cover	
14	Y-8H2 98010	Connecting Bolt Unit	A
15	Y-8H2 98020	Olive & Connecting Insert	A
16	Y-8H4 98010	Banjo Bolt & O-Ring	B
17	Y-8SY 28000	O-Ring	A
18	Y-8H1 98030	TL-BH61 Special Tool (2 pcs.)	A A
19	Y-830 98040	Hose Supporter A & B	
20	Y-8B2 14000	Bleed Nipple Cap	
21	Y-8B2 98080	Bleed Nipple (8 mm) & Seal Ring (φ7.6 mm)	
22	Y-8B2 23003	O-Ring (φ7.6 mm) for Bleed Nipple	
23	Y-8B2 98130	Caliper Fixing Bolt Unit	A
24	Y-8C4 98010	Caliper Fixing Bolt & Stop Ring	
25	Y-8C5 11000	Stop Ring	
26	Y-8C5 09000	Caliper Fixing Bolt (M6 x 20)	
27	Y-8CL 13000	Spacer (0.5mm)	A
28	Y-8CL 14000	Adjusting Washer (0.2 mm)	A
29	Y-8B2 98010	Wire (2 pcs.)	A
30	Y-8B2 98050	Pad Axle & Snap Ring	
31	Y-8B2 12000	Snap Ring	
32	Y-8B2 98060	Metal Pad (M03) & Spring	
	Y-8B2 98090	Resin Pad (M04) & Spring	
33	Y-8B2 30000	Pad Spacer	
34	Y-818 98010	Disc Rotor Unit (φ160 mm)	
35	Y-818 98030	Disc Rotor Fixing Bolt & Plate	A
36	Y-839 98010	Mineral Oil Bleed Kit (50 ml)	A A

A : Same parts.

B : Parts are usable, but differ in materials, appearance, finish, size, etc.
 Absence of mark indicates non-interchangeability.

0207-2158

Specifications are subject to change without notice.

© 2002 by Shimano Inc. 

SHIMANO