

KSYRIUM SL *Black*

USE: for road bike use only. Any other use (such as on a tandem, cyclo-cross bike, or off-road use...) is highly inadvisable, is the sole responsibility of the user and voids the Mavic warranty.

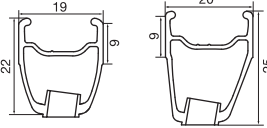


Recommended maximum weight of the cyclist and equipment: 100 kg

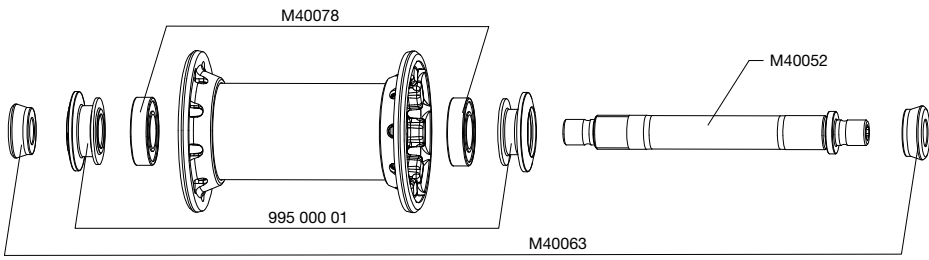
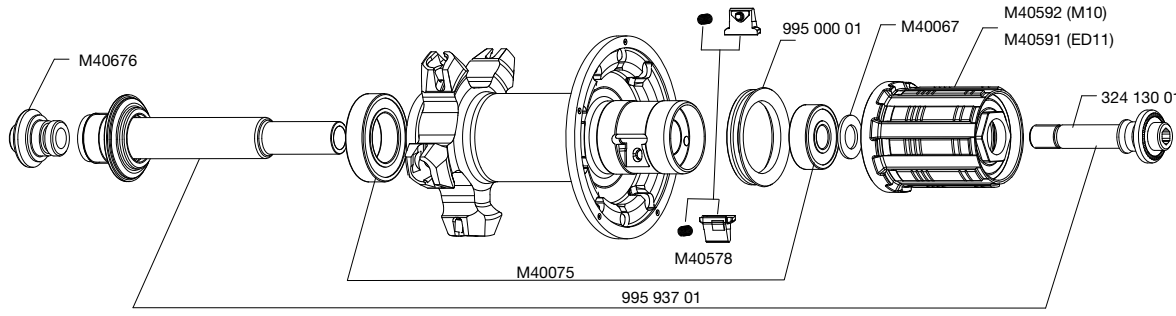
WHEELS WEIGHTS WITHOUT QUICK-RELEASE SKEWER


Front	645 g
Rear M10	855 g
Rear ED11	840 g

WHEEL REFERENCES

Front	107 970 10
Rear M10	107 971 11
Rear ED11	107 972 12
Pair M10	107 973 14
Pair ED11	107 974 14

RIMS	SALES REFERENCES	Black: Front: 108 426 10 Rear: 108 426 13
	 Ø VALVE HOLE Ø: 6.5 mm Length: ≥ 32 mm	 RECOMMENDED TIRE WIDTH Dimensions: Ø 700: ETRTO 622 x 15C Recommended tire width: 19 to 32 mm
When replacing the rear rim: <ol style="list-style-type: none"> 1. With the valve hole near you, the two raised indicator bumps must be to the right of the valve hole. 2. The spoke in the first hole to the right of the valve hole should be introduced into the drive side in a marked hole on the hub. 		

HUBS	MAINTENANCE: Clean with a dry cloth or soapy water if necessary. Do not use a high-pressure washer.
	
	

WHEEL BUILDING	REFERENCES AND LENGTHS:	Black	Front	324 178 01, length 284.5 mm (per 12, integrated nipples)
		Rear drive side	324 179 01, length 275 mm (per 11, integrated nipples)	
		Rear non-drive side	324 180 01, length 298.5 mm (per 10, integrated nipples)	
FEATURES:	Black bladed, straight pull Zicral spokes with M7 integrated, self-locking nipples	LACING PATTERN:	Front: radial Rear: Isopulse	 TENSION: Front: 110 to 130 kg Rear drive side: 120 to 140 kg

ACCESSORIES	WHEELS SUPPLIED WITH:	MAINTENANCE	
<ul style="list-style-type: none"> • BR 601 front quick-release M40149 • BR 601 rear quick-release M40150 • Computer magnet M40540 (with front wheel) • Free play adjustment wrench M40123 (with rear wheel) • Spoke wrench M40494 (with rear wheel) • ED11 12D locking ring (with rear wheel ED11) 108 317 01 • User guide and warranty card 		Replacing the front axle and bearings Replacing the rear axle Maintaining and replacing the free wheel mechanism Replacing the rear bearings Replacing a spoke Replacing the front rim Replacing the rear rim	See 2005 TM, page 20 See 2007 TM, page 20 See 2003 TM, page 21 See 2003 TM, page 22 See 2003 TM, page 23 See 2003 TM, page 27 See 2006 TM, page 17
Refer to the website for quick and convenient access to information: www.tech-mavic.com			