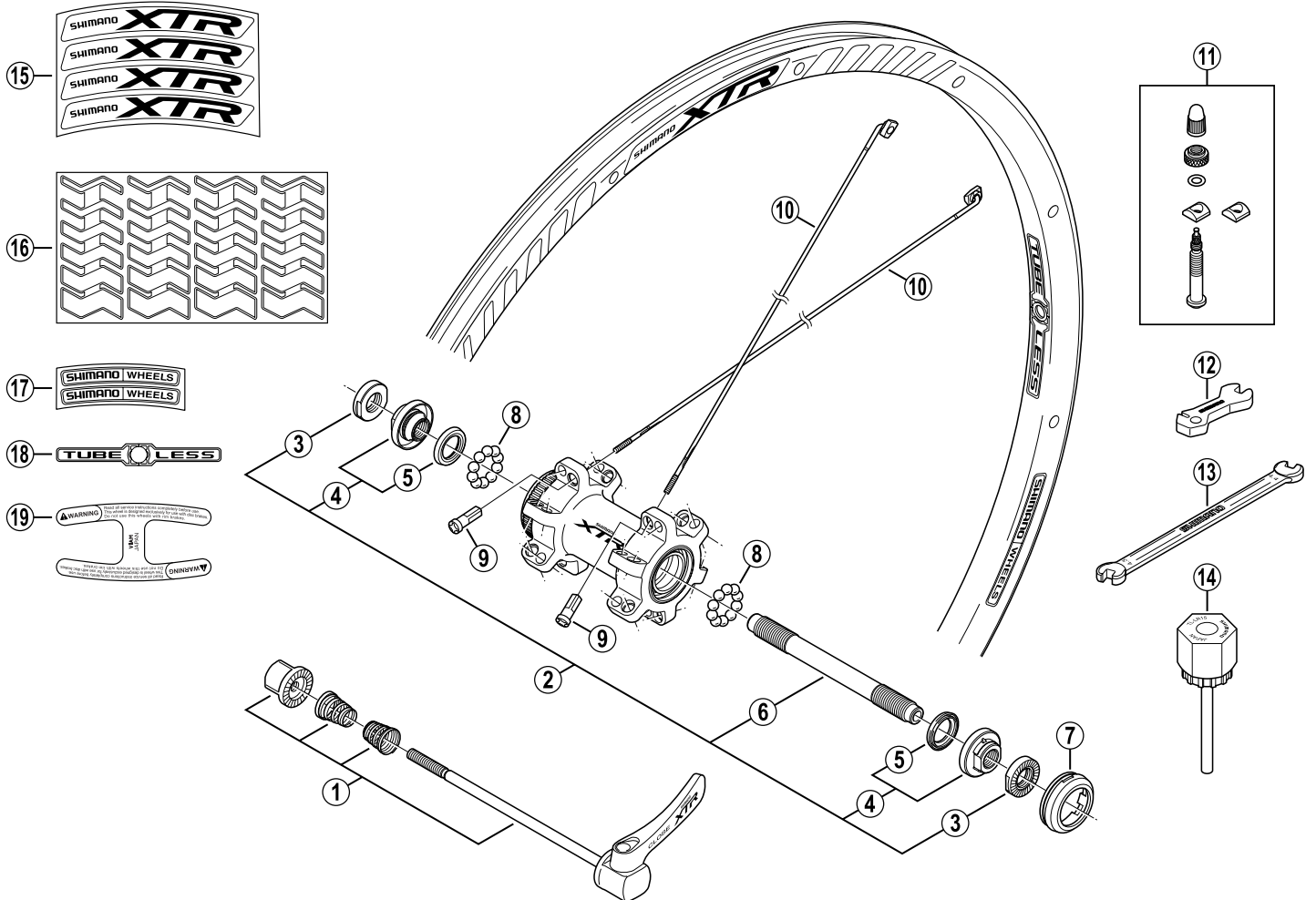


SHIMANO XTR Front Wheel (for Disc Brake)

WH-M965-F



Q'TY	ITEM NO.	SHIMANO CODE NO.	DESCRIPTION
	1	Y-24Y 98010	Complete Quick Release 133 mm (5-1/4")
	2	Y-24Y 98020	Complete Hub Axle 108 mm (4-1/4")
	3	Y-32P 08000	Serated Lock Nut 4 mm
	4	Y-24Y 98030	Cone (M10 x 12.8 mm) w/Dust Cover & Seal Ring
	5	Y-23F 05000	Seal Ring
	6	Y-24Y 04000	Hub Axle 108 mm (4-1/4")
	7	Y-24Y 03000	Cap
	8	Y-000 91270	Stainless Ball (3/16") 22 pcs.
	9	Y-4A0 03000	Nipple
	10	Y-4B5 90600	Spoke (272 mm) w/Washer
	11	Y-4B6 98030	Valve Unit
	12	Y-4A0 08000	Nipple Wrench
	13	Y-4A0 14000	TL-WH77 Nipple Wrench
	14	Y-120 09230	TL-LR15 Lock Ring Removal Tool
	15	Y-4B6 98040	Rim Sticker A / 1 sheet (4 pcs.)
	16	Y-4B6 98050	Rim Sticker B / 1 sheet (4 pcs.)
	17	Y-4AM98060	Rim Sticker C / 1 sheet (2 pcs.)
	18	Y-4B6 05000	Rim Sticker D
	19	Y-4B6 07000	Warning Sticker

Over Lock Nut Dimension: 100 mm (3-15/16")

IL/WH Printed in Japan 0210-2217