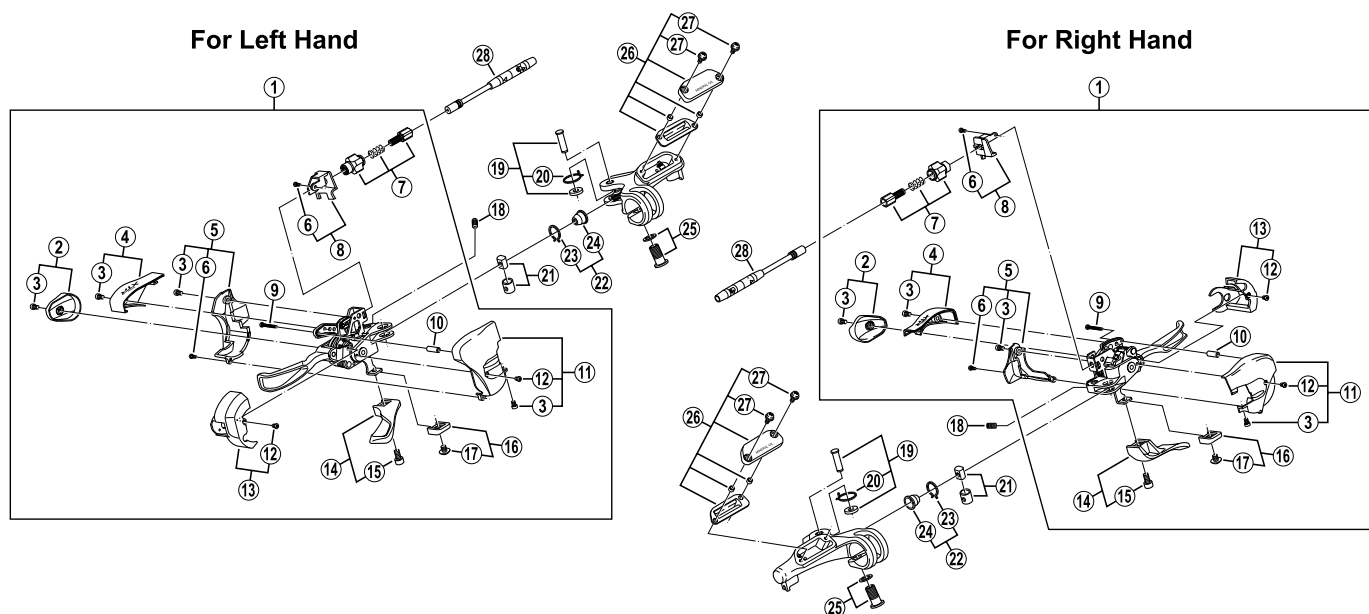


SHIMANO XTR Dual Control Lever

ST-M966 For Disc Brake



ITEM NO.	SHIMANO CODE NO.	DESCRIPTION
1	Y-6K8 98010	R.H. Main Lever Assembly
	Y-6K8 98020	L.H. Main Lever Assembly
2	Y-6GR98030	R.H. Lever Cap & Fixing Screw
	Y-6GR98040	L.H. Lever Cap & Fixing Screw
3	Y-6AU43010	Fixing Screw (M3 x 4)
4	Y-6GR98050	R.H. Cable Cover & Fixing Screw
	Y-6GR98060	L.H. Cable Cover & Fixing Screw
5	Y-6GS98030	R.H. Top Cover & Fixing Screws
	Y-6GS98040	L.H. Top Cover & Fixing Screws
6	Y-6A8 43010	Cover Fixing Screw
7	Y-6GR98090	Shifting Cable Adjusting Bolt Unit
8	Y-6GS98050	R.H. Middle Cover & Fixing Screw
	Y-6GS98060	L.H. Middle Cover & Fixing Screw
9	Y-6GR49000	Cover Fixing Screw (Long)
10	Y-6GR48000	Cover Pipe
11	Y-6GS98070	R.H. Bottom Cover & Fixing Screws
	Y-6GS98080	L.H. Bottom Cover & Fixing Screws
12	Y-6GR47000	Fixing Screw (M2.6 x 3.5)
13	Y-6GR98140	R.H. Lever Cover & Fixing Screw
	Y-6GR98150	L.H. Lever Cover & Fixing Screw
14	Y-6JJ 98130	R.H. Release Lever & Fixing Bolt
	Y-6JJ 98140	L.H. Release Lever & Fixing Bolt
15	Y-6JJ 13000	Release Lever Fixing Bolt (M4 x 8)
16	Y-6JX 98130	Release Lever Cap & Fixing Screw
17	Y-6JX 0C000	Release Lever Cap Fixing Screw (M4 x 5)
18	Y-6AU84200	Lever Axle Fixing Bolt (8 mm)
	Y-6GS98090	R.H. Lever Axle Unit
19	Y-6GS98100	L.H. Lever Axle Unit
	Y-6GS84000	R.H. Fixing Spring
20	Y-6GS84100	L.H. Fixing Spring
	Y-6JK 98070	Reach Adjusting Boss & Sleeve
22	Y-8SY 98070	Boot & Stopper
23	Y-8SY 30000	Boot Stopper
24	Y-8SY 17000	Boot
25	Y-6AU98090	Clamp Bolt (M8 x 16) & Washer
26	Y-6GS98130	R.H. Lid Unit
	Y-6GS98140	L.H. Lid Unit
27	Y-8SY 24000	Lid Fixing Screw
28	Y-6GR98210	R.H. Indicator Unit
	Y-6GR98220	L.H. Indicator Unit

0409-2421