

SHIMANO XTR Front Disc Brake

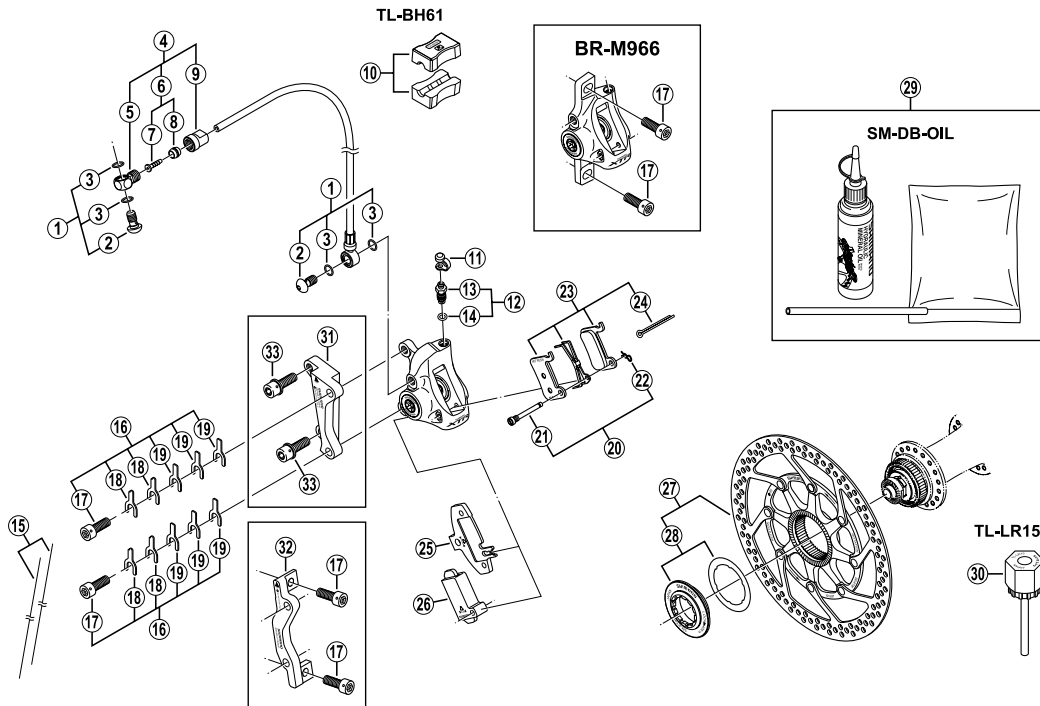
BR-M965 Brake Caliper

BR-M966 Brake Caliper
for post type mount

SM-RT96 Disc Rotor (φ160 mm)

SM-RT62M Disc Rotor (φ180 mm)

SM-BH96 Brake Hose



ITEM NO.	SHIMANO CODE NO.	DESCRIPTION
1	Y-8H0 98010	Banjo Bolt & O-Ring
2	Y-8H0 01500	Banjo Bolt
3	Y-8SY 28000	O-Ring
4	Y-8CL 98110	Banjo Unit
5	Y-8H3 02000	Banjo A
6	Y-8H2 98020	Olive & Connecting Insert
7	Y-8H2 02000	Connecting Insert
8	Y-8H2 04000	Olive
9	Y-8H3 03000	Banjo Nut
10	Y-8H1 98030	TL-BH61 Special Tool (2 pcs.)
11	Y-8B2 14000	Bleed Nipple Cap
12	Y-8CL 98050	Bleed Nipple & Seal Ring
13	Y-8CL 24000	Bleed Nipple
14	Y-8B5 11001	O-Ring for Bleed Nipple
15	Y-8B2 98010	Wire (2 pcs.)
*16	Y-8CL 98060	Caliper Fixing Bolt Unit
17	Y-8B2 32200	Caliper Fixing Bolt (M6 x 15)
18	Y-8CL 13000	Spacer (0.5 mm)
19	Y-8CL 14000	Adjusting Washer (0.2 mm)
20	Y-8CL 98070	Pad Axle & Snap Ring
21	Y-8CL 11000	Pad Axle
22	Y-8B2 12000	Snap Ring
23	Y-8CL 98010	Metal Pad (M06) & Spring w/Split Pin
	Y-8CL 98020	Resin Pad (M07) & Spring w/Split Pin
24	Y-8DB06000	Split Pin
25	Y-8CL 12000	Pad Spacer
26	Y-8CL 18000	Spacer for Bleeding
27	Y-8CL 98080	SM-RT96 Disc Rotor Unit (φ 160 mm)
	Y-8HS 98060	SM-RT62M Disc Rotor Unit (φ 180 mm)
28	Y-8CL 98090	Lock Ring & Washer for SM-RT96
	Y-8HS 98030	Lock Ring & Washer for SM-RT62M
29	Y-839 98010	Mineral Oil Bleed Kit (50 ml)
30	Y-120 09230	TL-LR15 Lock Ring Removal Tool
31	Y-817 35000	A-Standard Mount Adapter (SM-MA-F180S/S) for Disc Rotor φ 180 mm
32	Y-817 37000	Post Mount Adapter (SM-MA-F180S/P) for Disc Rotor φ 180 mm
33	Y-8B5 12000	Adapter Fixing Bolt (M6 x 19)

0507-2148E

Specifications are subject to change without notice.

SHIMANO