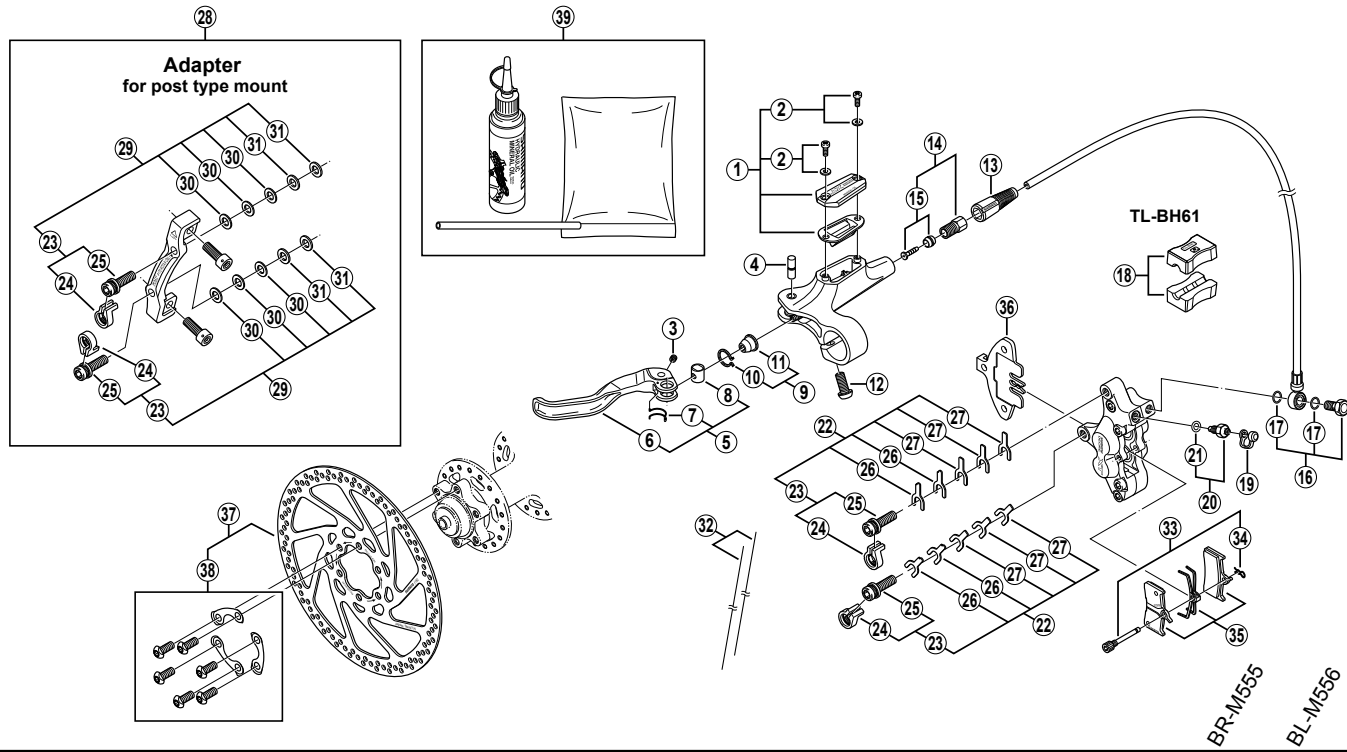


DEORE XT Front Disc Brake

BR-M755 Brake Caliper
BL-M756 Brake Lever

SM-RT75 Disc Rotor
SM-BH62 Brake Hose

SM-DB-OIL Mineral Oil



ITEM NO.	SHIMANO CODE NO.	DESCRIPTION	INTERCHANGEABILITY
1	Y-8S5 98010	L.H. Lid Unit	B
2	Y-8SZ 98020	Lid Fixing Screw (M3 x 8) & Washer	A
3	Y-8SZ 07000	Lever Axle Fixing Bolt	
4	Y-8SZ 06000	Lever Axle	
5	Y-8S5 98030	Lever Unit	
6	Y-8SZ 05300	Lever Member	
7	Y-8SY 13000	Boss Spring	
8	Y-8S5 98040	Reach Adjusting Boss	A
9	Y-8SY 98070	Boot & Stopper	A
10	Y-8SY 30000	Boot Stopper	A
11	Y-8SY 17000	Boot	A
12	Y-8SB 10000	Clamp Bolt (M6 x 14.8)	A
13	Y-8H2 03000	Cover	
14	Y-8H2 98010	Connecting Bolt Unit	A
15	Y-8H2 98020	Olive & Connecting Insert	A
16	Y-8H4 98010	Banjo Bolt & O-Ring	B
17	Y-8SY 28000	O-Ring	A
18	Y-BH1 98030	TL-BH61 Special Tool (2 pcs.)	A A
19	Y-8B2 14000	Bleed Nipple Cap	
20	Y-8B2 98080	Bleed Nipple (8 mm) & Seal Ring (φ7.6 mm)	
21	Y-8B2 23003	O-Ring (φ7.6 mm) for Bleed Nipple	
22	Y-8B2 98130	Caliper Fixing Bolt Unit	A
23	Y-8C4 98010	Caliper Fixing Bolt & Stop Ring	A
24	Y-8C5 11000	Stop Ring	A
25	Y-8C5 09000	Caliper Fixing Bolt (M6 x 20)	
26	Y-8CL 13000	Spacer (0.5mm)	A
27	Y-8CL 14000	Adjusting Washer (0.2 mm)	A
28	Y-8B2 98150	Adapter Unit for post type mount	
29	Y-8B2 98140	Caliper Fixing Bolt Unit for post type mount Adapter	
30	Y-8B2 16000	Adjusting Washer (0.2 mm) for post type mount Adapter	
31	Y-8B2 15000	Spacer (0.5mm) for post type mount Adapter	
32	Y-8B2 98010	Wire (2 pcs.)	A
33	Y-8B2 98050	Pad Axle & Snap Ring	
34	Y-8B2 12000	Snap Ring	
35	Y-8B2 98060	Metal Pad (M03) & Spring	
35	Y-8B2 98090	Resin Pad (M04) & Spring	
36	Y-8B2 30000	Pad Spacer	
37	Y-818 98010	Disc Rotor Unit (φ160 mm)	
37	Y-818 98020	Disc Rotor Unit (φ170 mm) for use with post type mount adapter	
38	Y-818 98030	Disc Rotor Fixing Bolt & Plate	A
39	Y-839 98010	Mineral Oil Bleed Kit (50 ml)	A A

A : Same parts.
 B : Parts are usable, but differ in materials, appearance, finish, size, etc.
 Absence of mark indicates non-interchangeability.

0207-2157

Specifications are subject to change without notice.

SHIMANO



© 2002 by Shimano Inc.